

## Proposed Building Materials and Fencing

- Precast concrete exterior walls - Architectural precast features (reveals, textures, accent panels): included in wall panels
- Metal panel and storefront glazing systems limited to office area facade
- Structural Steel, joist, and deck
- Cast-in-place concrete slab-on-grade
- Single-ply thermoplastic roofing assembly
- Rigid roof insulation
- Vapor barriers and waterproofing membrane
- Exterior sealants and flashing at panel joints and openings
- Exterior personnel doors
- Service and overhead roll-up doors
- Mechanical louvers and ventilation openings
- Door hardware, frames, and security-rated
- Anti-climb/Security Palisade-style perimeter fencing and gates
- Concrete and Asphalt Pavements
- Sidewalks, hardscape, and paved service areas
- Exterior Dark Sky Compliant LED Lighting
- Stormwater infrastructure including piping, inlets, and detention facilities
- Interior Drywall and metal framing fit-out
- Interior finishes, flooring, painting, acoustical ceilings, Interior LED lighting

### Industry-Standard Security Fencing Examples:



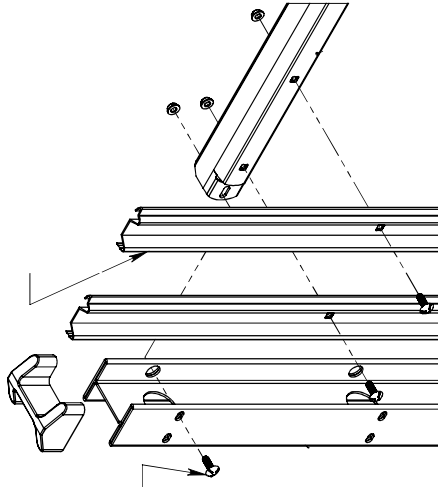
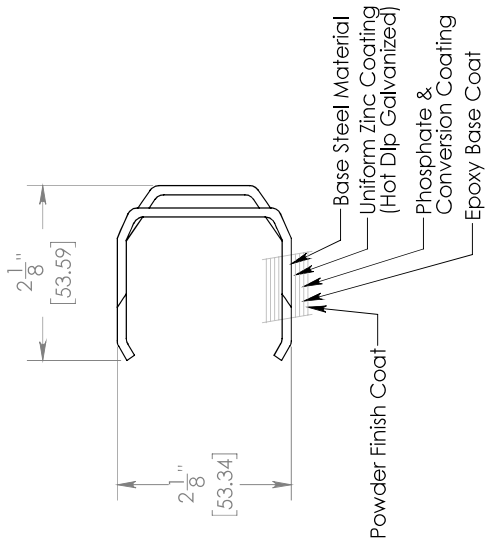
**Impasse II**

High Security Steel Palisade Fence



**Stalwart IS**

Anti-Ram Barrier & Impasse II System



**Security Fastener**  
 Prevents Tampering or removal by common tools

